



Telescopic Belt Conveyor TBC .

TBC Telescopic belt Conveyors are the ideal solution to your loading and unloading docks. The conveyor will extend to reach inside your trucks or containers and its length is adjusted by the operator. It can also be raised or lowered to assist in stacking or unloading sacks or boxes.

سيور تلسكوبية TBC .

تستخدم السيور التلسكوبية لتحميل وتفريغ الحاويات او سيارات النقل حيث تثبت على ارضية السشحن ويقوم المشغل بتطوير او تقصير السير كهربائيا وكذلك رفعه او انزاله بحيث يسهل عمليات الترصيص. عادة ما يتم تركيب هذه السيور على ارضية الشحن او الاستقبال في المخازن ويتم توصيلها بمنظومة سيور داخل المخزن لتسهيل عمليات التفريغ والتعتيق.

Factory :New Borg El Arab 2nd Zone
entrance 2c street 3 - entrance 2c street 5
Tel:+20-(03)-4624127 - 4624126 - 4624025
fax : (03) 4624291

Cairo Office : Corniche El Nile, Maadi, Cairo
Tel +20:(0)2-25266333
Fax +20:(0)2-25264888

Info@UnitelEgypt.com

Sales@UnitelEgypt.com



www.UnitelEgypt.com

f YouTube /UnitelEgypt

TBC Telescopic Belt Conveyor

Features

The Telescopic Belt Conveyor TBC is a dual boom extendable conveyor used on docks and platforms for reaching right to the end of vehicles and containers.

The TBC conveyor can carry most types of materials such as boxes, cartons, sacks, crates, and unit goods.

Optionally it can be fitted with a raising and lowering mechanism that helps to deliver goods at the required height.

It can dramatically reduce the time and effort it takes to load and unload trucks and containers thus paying for itself over a short time.



Characteristics

Reinforced sheet metal frame construction.

Smooth dual sliding action of booms

TBC belt and boom position controlled by push button panel mounted at the front of the telescopic boom.

Optional hydraulic system raises and lowers the conveyor.

Safety bar at front disables boom advance in case of presence of a person in front of the conveyor.

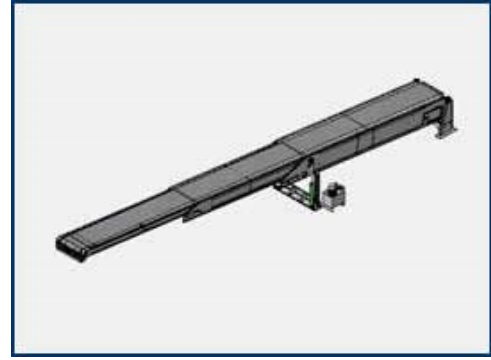
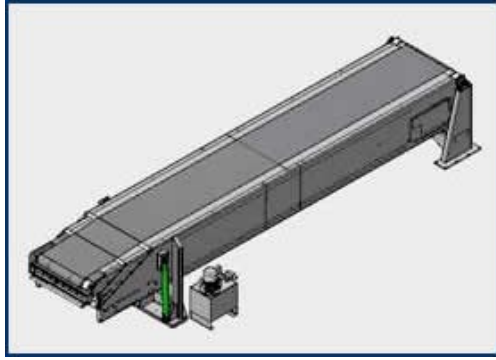


Applications

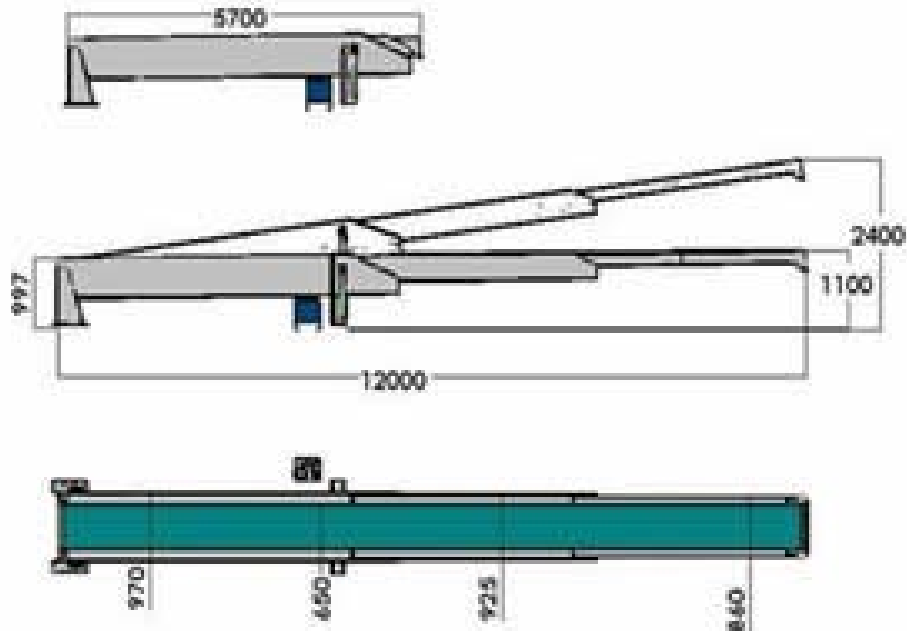
The TBC Telescopic Conveyor is used in warehouses, shipping and receiving docks, refrigerators, and cold stores, cement, petrochemicals, flour mills, and all applications requiring cost effective and quick loading and unloading of trucks, and containers..



TBC Telescopic Belt Conveyor



TBC Specifications



Loading Capacity	500 N/m
Number of booms	2 (optionally 3 by special order)
Telescopic Drive	Positive Chain Drive
Linear Speed	25 m/min
Mains Supply	380 VAC +/- 10% 50 Hz, 3 Phase.
Motor Power	2.2 kW
Motor Class	IP54
Insulation Class	IP54
Belt Materials	PVC Smooth Face
Paint	Electrostatic Epoxy Powder RAL 7035

TBC Telescopic Belt Conveyor

Dimensions

Total Retracted length	5700
Overall Extended Length (2 booms)	12,000 mm.
Rear Side Height	997
Extended Boom Maximum Height	2400 mm.
Extended Boom Minimum Height	1100 mm.
Chassis Width	970 mm.

Options

Variable Speed Drives

Soft Start for Telescopic Action

Accessories

Hydraulic Height Adjustment

Head Lamp

مكتب القاهرة : برج القاتوينين كورنيش المعادى
تليفون : ٠٢/٢٥٢٦٦٣٣٣
فاكس : ٠٢/٢٥٢٦٤٨٨٨

مدينة برج العرب الجديدة - المنطقة الصناعية الثانية
يونيتل/ مدخل ٢ ج شارع ٣ - مدخل ٢ ج شارع ٥
تليفون : ٠٣/٤٦٢٤٤٢٤-٤٦٢٤٠٢٥-٤٦٢٤١٢٦-٤٦٢٤١٢٧
فاكس : ٠٣/٤٦٢٤٢٩١



www.UnitelEgypt.com



/UnitelEgypt

Sales@UnitelEgypt.com

Info@UnitelEgypt.com